



## RIDUZIONE OTTONE

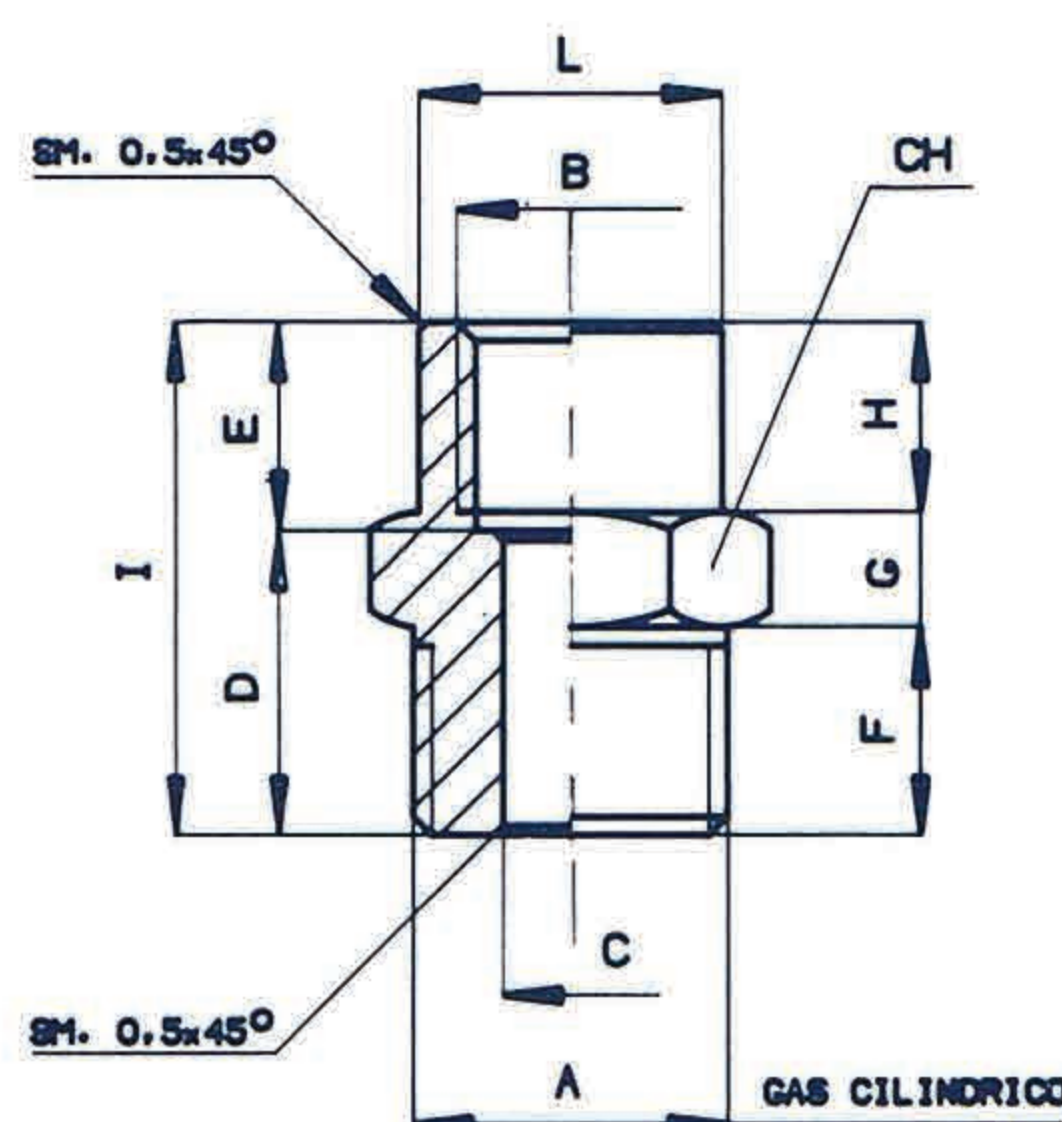


Figura 1

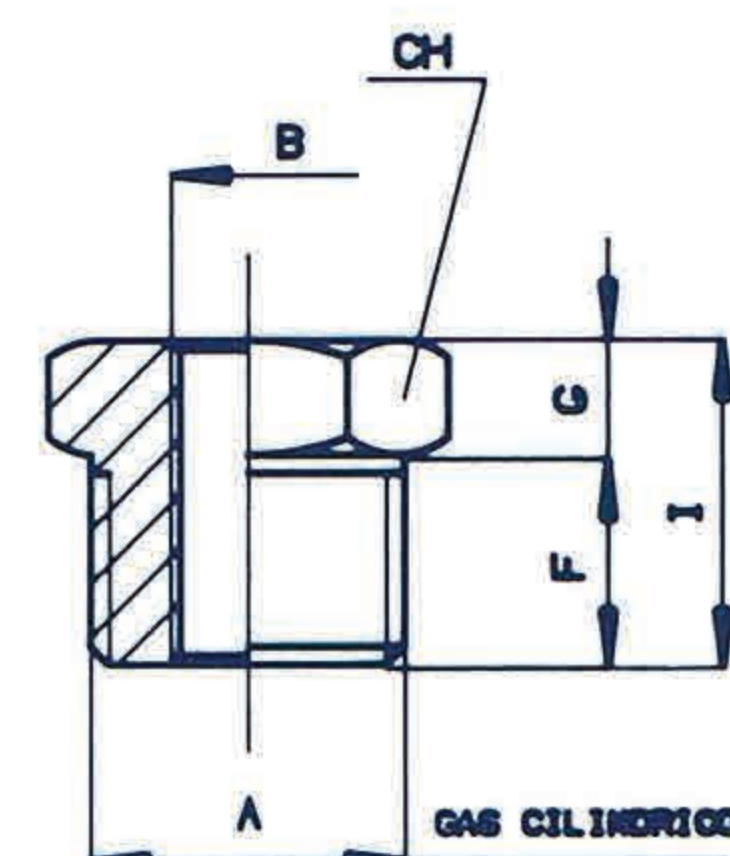


Figura 2

FILETTO	FIG.	A	B	C	D	E	F	G	H	I	L	CH					CODICE
1/8" x 1/8"	1	1/8"	1/8"	5	10	9	7	4	8	19	12,8	13					RID 1/8 x 1/8
1/8" x 1/4"	1	1/8"	1/4"	5	10	11	7	5	9	21	15,8	16					RID 1/8 x 1/4
1/8" x 3/8"	1	1/8"	3/8"	5	10	13	7	6	10	23	19,8	20					RID 1/8 x 3/8
1/8" x 1/2"	1	1/8"	1/2"	5	10	15	7	7	11	25	25,8	26					RID 1/8 x 1/2
1/4" x 1/8"	2	1/4"	1/8"	-	-	-	9	5	-	14	-	16					RID 1/4 x 1/8
1/4" x 1/4"	1	1/4"	1/4"	8	12	11	9	5	9	23	15,8	16					RID 1/4 x 1/4
1/4" x 3/8"	1	1/4"	3/8"	8	12	13	9	6	10	25	19,8	20					RID 1/4 x 3/8
1/4" x 1/2"	1	1/4"	1/2"	8	12	15	9	7	11	27	25,8	26					RID 1/4 x 1/2
3/8" x 1/8"	2	3/8"	1/8"	-	-	-	11	6	-	17	-	20					RID 3/8 x 1/8
3/8" x 1/4"	2	3/8"	1/4"	-	-	-	11	6	-	17	-	20					RID 3/8 x 1/4
3/8" x 3/8"	1	3/8"	3/8"	10	14	13	11	6	10	27	19,8	20					RID 3/8 x 3/8
3/8" x 1/2"	1	3/8"	1/2"	10	14	15	11	7	11	29	25,8	26					RID 3/8 x 1/2
1/2" x 1/8"	2	1/2"	1/8"	-	-	-	13	7	-	20	-	25					RID 1/2 x 1/8
1/2" x 1/4"	2	1/2"	1/4"	-	-	-	13	7	-	20	-	25					RID 1/2 x 1/4
1/2" x 3/8"	2	1/2"	3/8"	-	-	-	13	7	-	20	-	25					RID 1/2 x 3/8
1/2" x 1/2"	1	1/2"	1/2"	14	16	15	13	7	11	31	25,8	26					RID 1/2 x 1/2