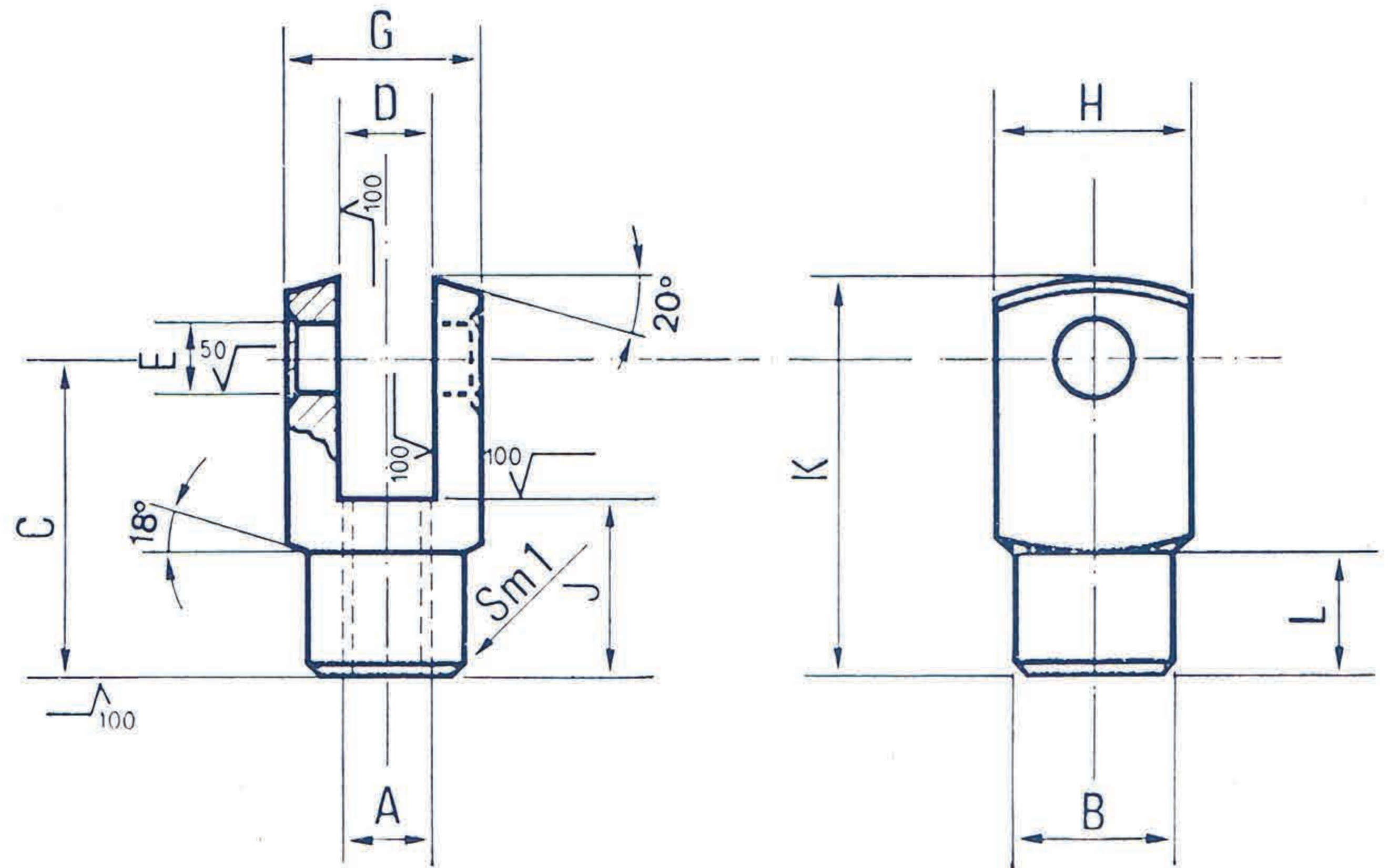
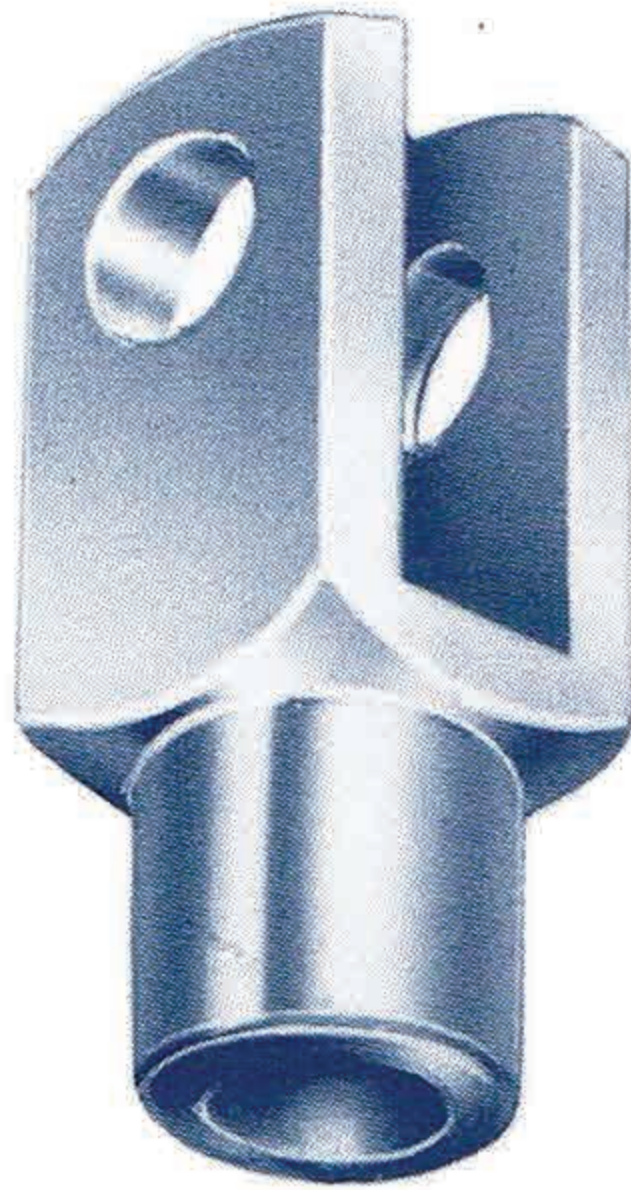




**FORCELLE NORMA CNOMO** YOKES - FOURCHE - GABELKOEPFER



ACCIAIO - STEEL - ACIER - STAHL 9S Mn Pb 23 R 50 Kg./mm<sup>2</sup>

Ale-saggio	Forcelle	B	C	D <sub>H11</sub>	E <sub>H18</sub>	G	H	J	K	L	CODICE
32	<b>M 10 x 1,5</b>	18	36	11	8	22	22	20	45	14	<b>F-CNOMO M 10</b>
40/50	<b>M 16 x 1,5</b>	26	51	18	12	36	26	26	64	17	<b>F-CNOMO M 16</b>
63/80	<b>M 20 x 1,5</b>	34	63	22	16	45	34	30	80	18,5	<b>F-CNOMO M 20</b>
100/125	<b>M 27 x 2</b>	42	85	30	20	63	42	45	105	30	<b>F-CNOMO M 27</b>
160/200	<b>M 36 x 2</b>	50	115	40	25	80	50	75	140	45	<b>F-CNOMO M 36</b>